

Canopy Lighting

Qlite LED Canopy Lighting Series 01



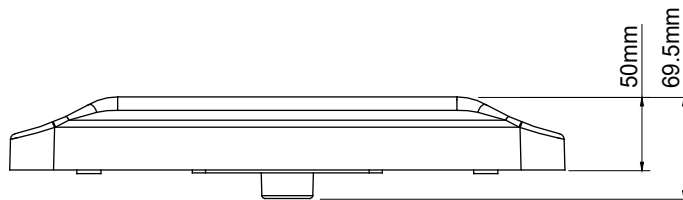
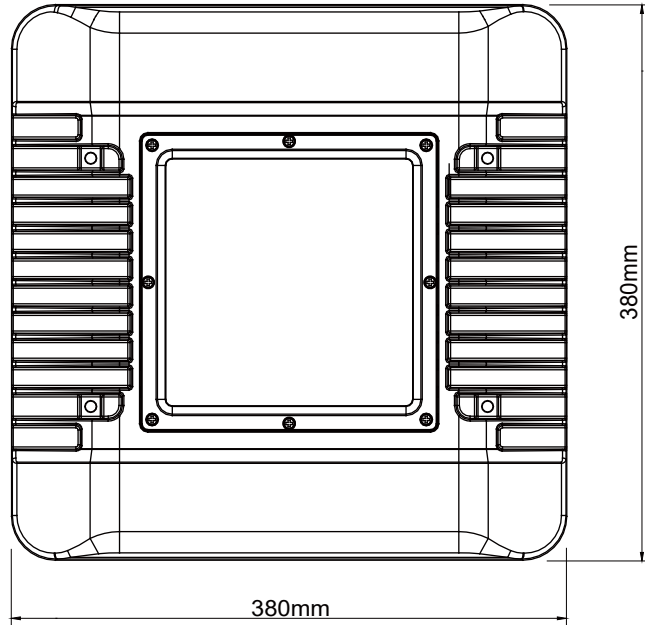
75-100W Technical Parameters:

| | | |
|---------------------------|------------------------------------|---------------------------|
| Product Name | 75W LED Canopy light | 100W LED Canopy light |
| Part No | QL-CNP01-075W | QL-CNP01-100W |
| LED Type | PHILIPS 3030(2D 1.5W)/SAMSUNG 283B | |
| LED QTY | 112PCS(3030)/120PCS(283B) | 112PCS(3030)/120PCS(283B) |
| System Efficacy | 120±5% LM/W | 120±5% LM/W |
| Luminous Flux | 9000±5% LM | 12000±5% LM |
| CCT | 3000K, 4000K, 5000K, 5700K | |
| Beam Angle | 110° | |
| CRI | >80Ra | |
| System Efficiency | >90% | |
| PowerSupply | MEAN WELL | |
| Input Voltage | AC100-277V/AC120-277V/ | |
| Power Frequency | AC200-480V 50/60Hz | |
| Output Voltage | DC28.8-48V | |
| Output Current | 0.75A(Constant Current) | 1.0A(Constant Current) |
| Power Efficiency | ≥90% | |
| Power Factor | ≥0.9 | |
| Total Harmonic Distortion | < 15% | |
| System Power consumption | 75±5 W | 100±5 W |
| Led Power consumption | 69±5 W | 92±5 W |
| Application | Outdoor | |
| Certificates | CE ROHS Category 2 ATEX | CE ROHS Category 2 ATEX |
| Fixture Material | ADC12 Aluminum alloy | |
| Ingress Protection | IP65 | |
| Operating Temperature | -30 ~ 50 °C | |
| Life span | >50000Hrs(Ta=30 °C @LM70) | |
| Operating Humidity | 15-90%RH | |
| Storage Temperature | -40 ~ 70 °C | |
| Storage Humidity | 10%-95% | |
| Luminaire Net Weight | 4.7±0.2KG | 4.7±0.2KG |
| Export Carton Size | 432*408*123mm | |
| Luminaire Gross weight | 5.7±0.2KG | 5.7±0.2KG |

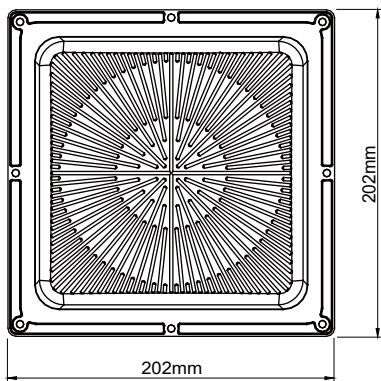
130-150W Technical Parameters:

| Product Name | 130W LED Canopy light | 150W LED Canopy light |
|---------------------------|------------------------------------|---------------------------|
| Part No | QL-CNP01-130W | QL-CNP01-150W |
| LED Type | PHILIPS 3030(2D 1.5W)/SAMSUNG 283B | |
| LED QTY | 140PCS(3030)/180PCS(283B) | 168PCS(3030)/180PCS(283B) |
| System Efficacy | 120±5% LM/W | 120±5% LM/W |
| Luminous Flux | 15600±5% LM | 18000±5% LM |
| CCT | 3000K, 4000K, 5000K, 5700K | |
| Beam Angle | 110° | |
| CRI | >80Ra | |
| System Efficiency | >90% | |
| PowerSupply | MEAN WELL | |
| Input Voltage | AC100-277V/AC120-277V/AC200-480V | |
| Power Frequency | 50/60Hz | |
| Output Voltage | DC28.8-48V | |
| Output Current | 1.3A(Constant Current) | 1.5A(Constant Current) |
| Power Efficiency | ≥90% | |
| Power Factor | ≥0.9 | |
| Total Harmonic Distortion | < 15% | |
| System Power consumption | 130±5 W | 150±5 W |
| Led Power consumption | 119±5 W | 138±5 W |
| Application | Outdoor | |
| Certificates | CE ROHS Category 2 ATEX | CE ROHS Category 2 ATEX |
| Fixture Material | ADC12 Aluminum alloy | |
| Ingress Protection | IP65 | |
| Operating Temperature | -30 ~ 50 °C | |
| Life span | >50000Hrs(Ta=30 °C @LM70) | |
| Operating Humidity | 15-90%RH | |
| Storage Temperature | -40 ~ 70 °C | |
| Storage Humidity | 10%-95% | |
| Luminaire Net Weight | 5.0±0.2KG | 5.0±0.2KG |
| Export Carton Size | 432*408*123mm | |
| Luminaire Gross weight | 6.0±0.2KG | 6.0±0.2KG |

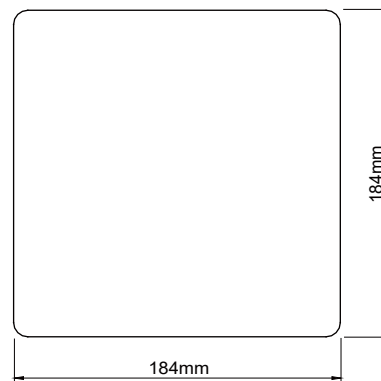
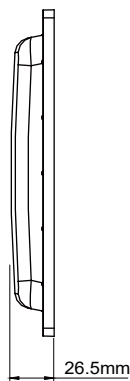
75-150W Product Dimension :



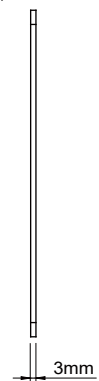
75-150W Size



PC lens

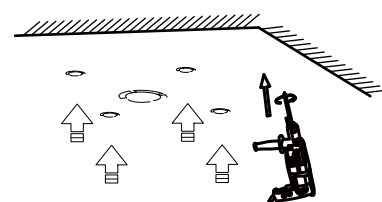
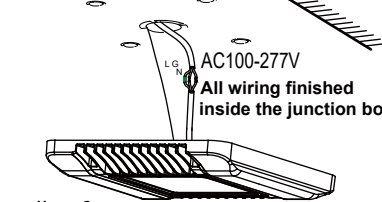
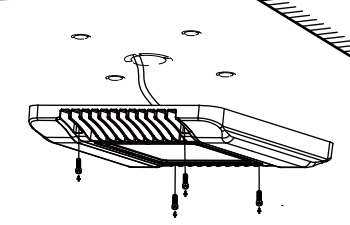


Glass lens

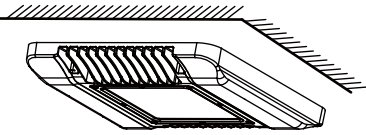


Accessory

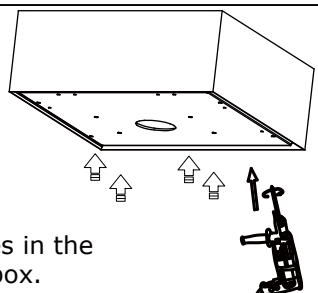
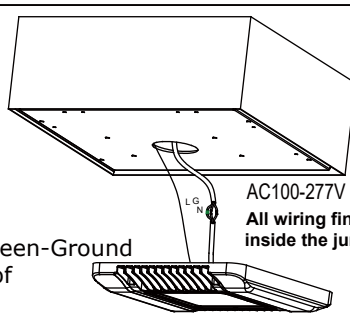
Installation:

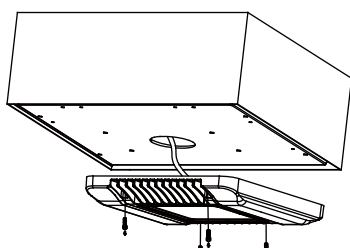
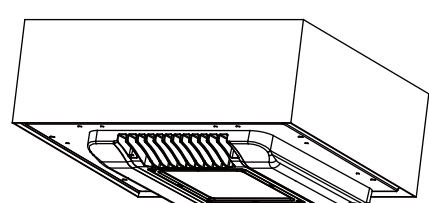
| | | |
|---|---|--|
| <p>1.</p>  <p>Drilling a holes in the ceiling.</p> | <p>2.</p>  <p>AC100-277V All wiring finished inside the junction box.</p> <p>Install safety rope Connect the cables.Black-L,White-N,Green-Ground take care of the waterproof processing.</p> | <p>3.</p>  <p>Install the screws.</p> |
|---|---|--|

4.



The installation is complete.

| | |
|---|---|
| <p>1.</p>  <p>Drilling a holes in the Sheet metal box.</p> | <p>2.</p>  <p>AC100-277V All wiring finished inside the junction box.</p> <p>Install safety rope Connect the cables.Black-L,White-N,Green-Ground take care of the waterproof processing.</p> |
|---|---|

| | |
|--|---|
| <p>3.</p>  <p>Install the screws.</p> | <p>4.</p>  <p>The installation is complete.</p> |
|--|---|